

ASSEMBLY INSTRUCTIONS

Utopia Large Double Bath Sconce

Item # KW 2048

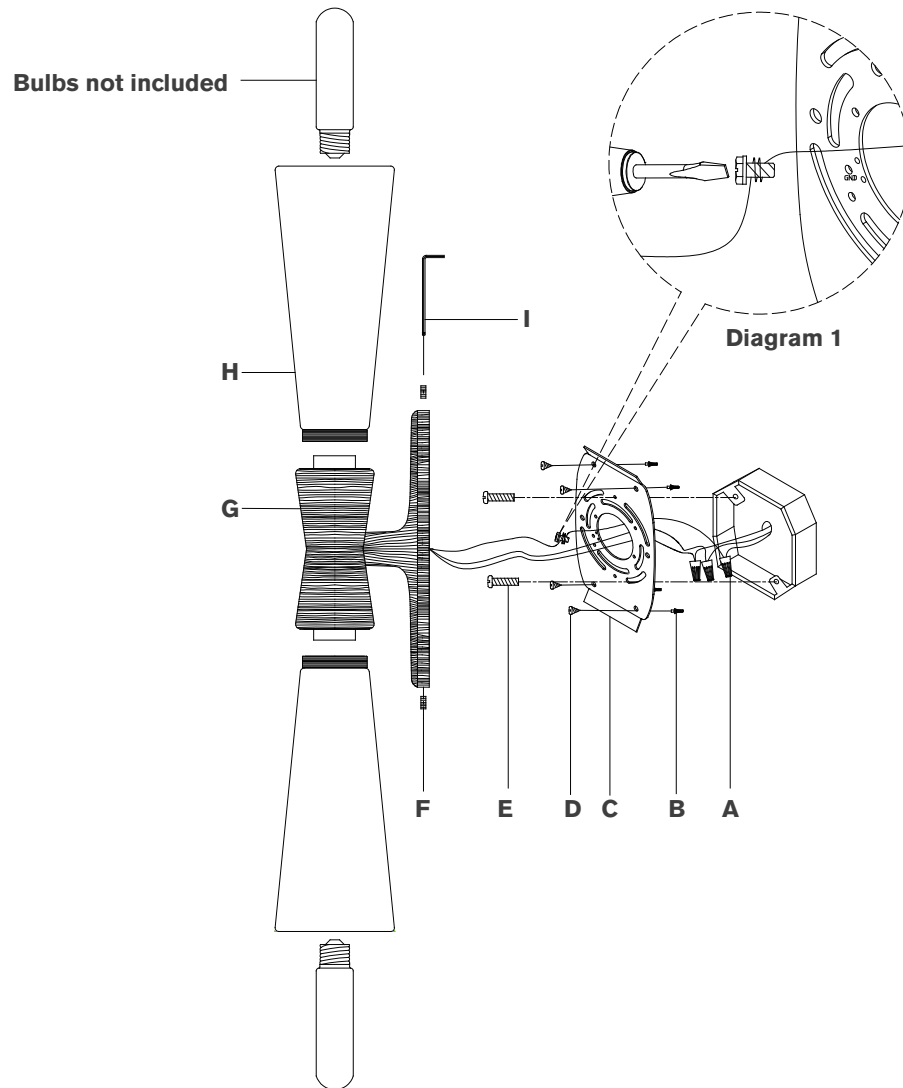
NOTICE:

This light fixture should be installed in accordance with all applicable, local installation codes, and by a person familiar with the construction and operation of it, as well as the hazards involved. Inspect item and contents carefully. If any damage or defect is found, do not install. Retain all packaging material until installation is complete and approved.

TOOLS REQUIRED (NOT INCLUDED):

Phillips Screwdriver

Slotted Screwdriver



1. Carefully remove all parts from the box. Place on a clean, soft surface.
2. Remove mounting plate **(C)** from fixture body **(G)** by removing side screws **(F)** using provided wrench **(I)**.
3. Using the mounting plate **(C)** as a guide, line up with the junction box and mark anchor positions.
4. Using a drill bit slightly smaller than the anchor, drill holes in the marked positions. Install anchors **(B)** into the holes using hammer.
5. Install mounting plate **(C)** to the junction box and secure with mounting screws **(E)**, then secure wood screws **(D)** to anchors **(B)**.
4. Wrap fixture ground wire (bare copper) around the green grounding screw (see diagram 1). Tighten. Continue fixture ground wire and connect to supply ground wire (usually green or bare copper) using wire nut **(A)**.
- NOTE:** It is imperative that the fixture is grounded.
5. Connect fixture neutral wire (white) to the supply neutral wire (usually white) using wire nut **(A)**.
6. Connect fixture hot wire (black) to the supply hot wire (usually black) using the wire nut **(A)**.
- CAUTION:** Do not reverse the hot and neutral connections.
7. Make sure all wire connections are tight and tuck into the junction box.
8. Install fixture body **(G)** to mounting plate **(C)** and secure with side screws **(F)** using provided wrench **(I)**.

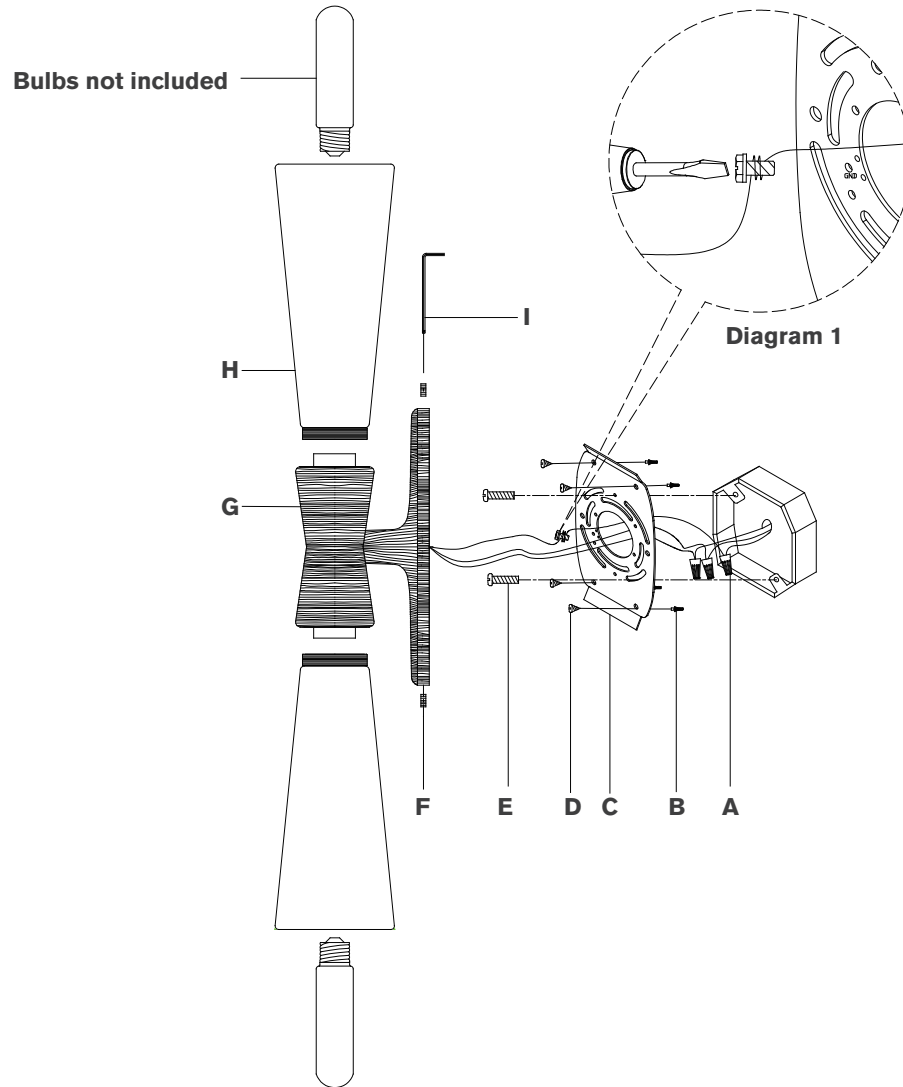
ASSEMBLY INSTRUCTIONS

Utopia Large Double Bath Sconce

Item # KW 2048

NOTICE:

This light fixture should be installed in accordance with all applicable, local installation codes, and by a person familiar with the construction and operation of it, as well as the hazards involved. Inspect item and contents carefully. If any damage or defect is found, do not install. Retain all packaging material until installation is complete and approved.



9. Install light bulbs into sockets.

10. Thread glass shades (**H**) to fixture body (**G**).

NOTE: Do not over-tighten otherwise the glass shades can be damaged.

Care Instructions: Clean only with a soft dry cloth or feather duster. Do not use abrasive or chemical agents.